

# Product introduction of 8-inch body temperature measuring all-in-one machine

## Product Brief:

Wall-mounted temperature measurement face recognition access management module, using Rockchip RK3288 high-performance hardware platform, equipped with industrial-grade binocular camera and face biometric recognition technology, and infrared human body temperature measurement module, is a high-performance, high reliability product. Support 1:1 and 1:N face comparison and retrieval, support mask recognition, support human body temperature detection, high temperature warning, and support the expansion of various peripherals such as ID card reader, fingerprint reader, etc., can be applied to access control and attendance to achieve safe and efficient access control for personnel.



## Features:

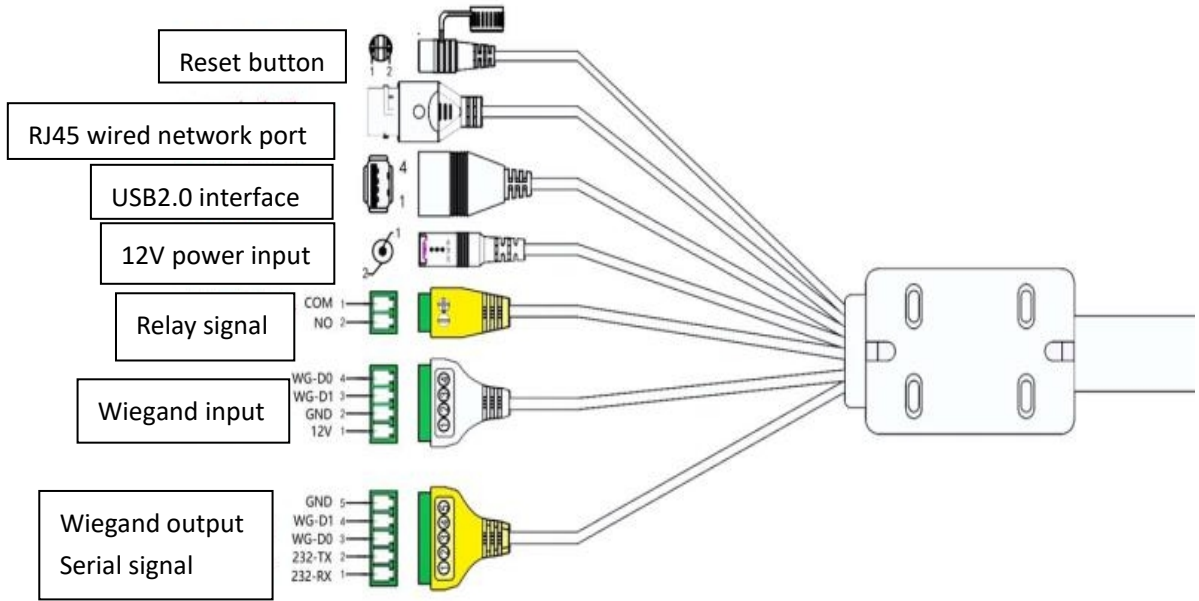
1. Using 8-inch IPS full-view LCD display.
2. Industrial grade appearance, waterproof and dustproof design, stable and reliable.
3. Support 20,000 face database. The 1:1 comparison recognition rate is over 99.7%, the 1:N comparison recognition rate is over 96.7%@0.1% false recognition rate, and the living body detection accuracy rate is 98.3%@1% false rejection rate. The speed of face recognition is less than 1 second.
4. **Support accurate face recognition and comparison while wearing a mask.**
5. Using industrial-grade binocular wide dynamic camera, night infrared and LED dual photo flood lamp.
6. Standard Rockchip RK3288 quad-core processor, Cortex A17, 1.8G, powerful performance.
7. **Support human body temperature detection and temperature display. 1 meter ultra-distant body temperature detection, the measurement error is plus or minus 0.2°C. Support automatic alarm of abnormal body temperature, only takes a few second for detection, real-time export of attendance temperature measurement data.**
8. Support various peripheral expansion such as ID card reader, fingerprint reader, IC card reader, QR code reader, etc.
9. Support system level, APP offline level, APP + background network level multiple API docking. The documentation is complete and supports secondary development.

## Appearance and size

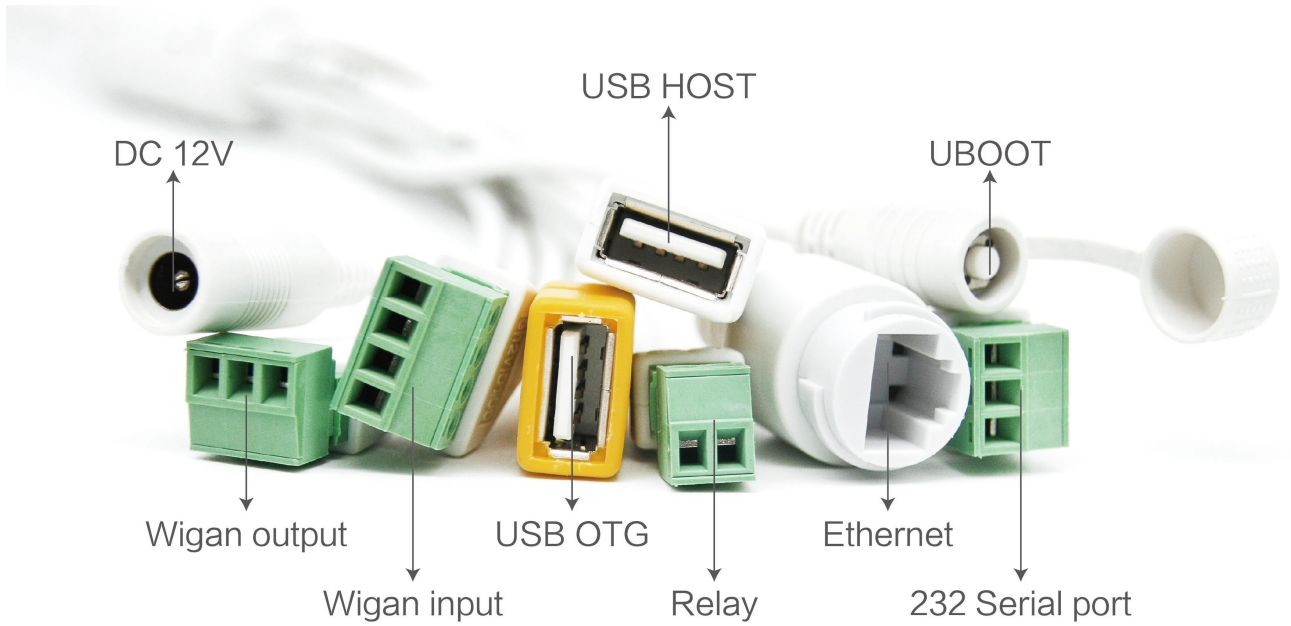


## Definition of wire interface

# Definition of external terminals for face recognition



## Nine line:



## Specification:

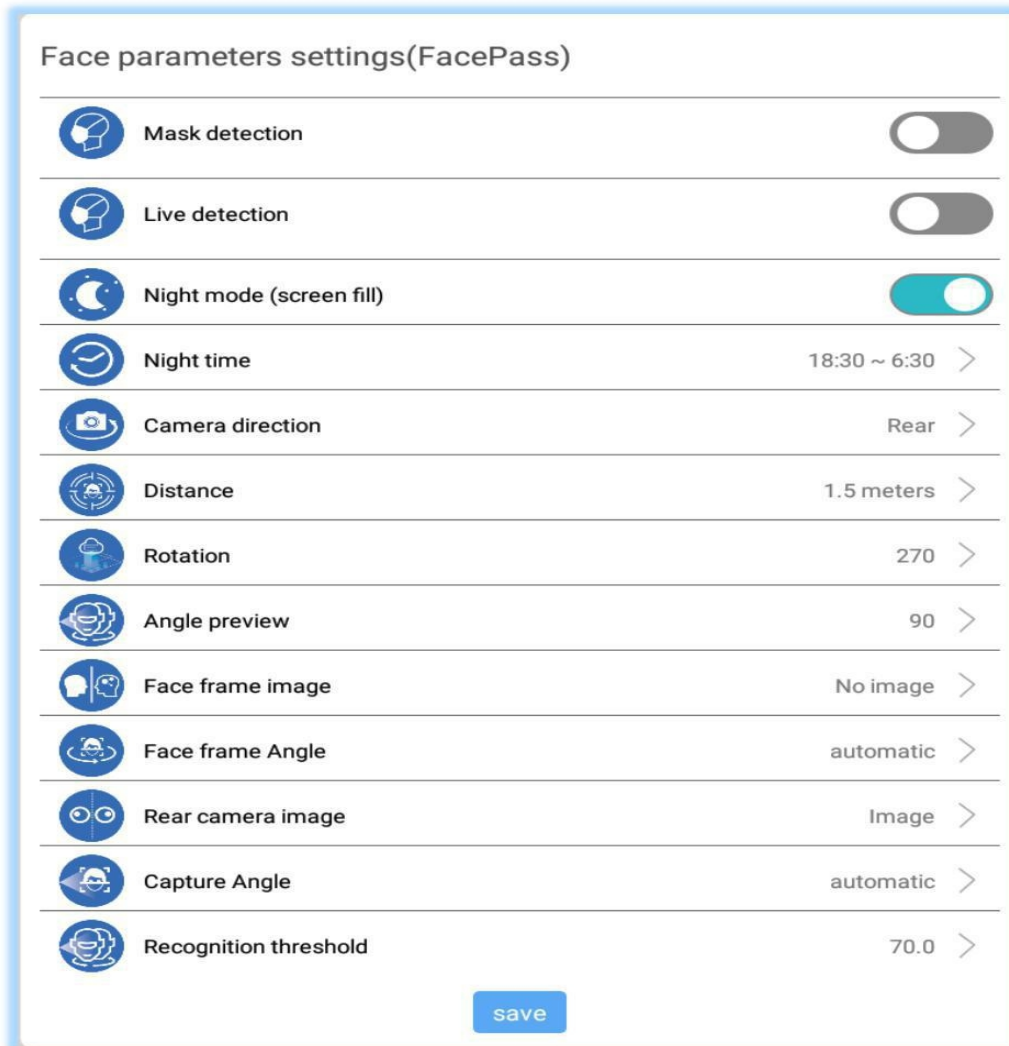
	Model	JTA-TK-8
Camera	Resolution	2 million pixels
	Type	Binocular wide dynamic camera
	Aperture	F2.4
	Focusing distance	50-150cm
	White balance	auto
	Photo flood light	LED and IR dual photo flood light
Screen	Size	8.0 inch IPS LCD screen
	Resolution	800×1280
	Touch	Not supported (optional support)
Processor	CPU	RK3288 quad-core (optional RK3399 six-core, MSM8953 eight-core)
	Storage	EMMC 8G
Interface	Network module	Ethernet and wireless (WIFI)
	Audio	2.5W / 4R speakers
	USB	1 USB OTG, 1 USB HOST standard A port
	Serial communication	1 RS232 serial port
	Relay output	1 door open signal output
	Wiegand	One Wiegand 26/34 output, one Wiegand 26/34 input
	Upgrade button	Support Uboot upgrade button
	Wired network	Ethernet socket
	Credit card reader	None (optional IC card reader, ID card, ID card)
	Face Detection	Supports detection and tracking of multiple people at the same time
	Face library	Up to 30,000
	1: N face recognition	Support
	1: 1 face comparison	Support
	Stranger detection	Support
Function	Identify distance configuration	Support
	UI interface configuration	Support
	Upgrade remotely	Support

Infrared thermal imaging module	Interface	Interfaces include device management, personnel / photo management, record query, etc.
	Deployment method	Support public cloud deployment, privatized deployment, LAN use, stand-alone use
	Temperature detection	Support
	Temperature detection distance	1 meter (optimal distance 0.5 meter)
	Temperature measurement accuracy	$\leq \pm 0.3^{\circ}\text{C}$
	Temperature measurement range	$10^{\circ}\text{C} \sim 42^{\circ}\text{C}$
	Pixels	32 X 32 dots (total 1024 pixels)
	Visitors' temperature is normal and released	Support
	Abnormal temperature alarm	Support (temperature alarm value can be set)
General parameters	Power	DC12V ( $\pm 10\%$ )
	Operating temperature	$0^{\circ}\text{C} \sim 40^{\circ}\text{C}$
	Storage temperature	$-20^{\circ}\text{C} \sim 60^{\circ}\text{C}$
	Power consumption	13.5W (Max)
	Installation method	Screwed by wall mount bracket
	Size	Standard: 300.22*125*31.08 (mm) IC card / ID card: 296.18*132.88*25 (mm)
Packing list	Machine * 1, power adapter * 1, manual * 1, certificate of conformity * 1	

The software background supports switching between Chinese and English software settings, and supports multiple languages such as simplified Chinese, English, Italian, Polish, German, Russian, Thai, Spanish, French, Arabic, Korean, Vietnamese, Indonesian, Czech Chinese, Romanian, Japanese, Kazakh, Slovak, Dutch, Portuguese,

etc.

Support mask mode, mask interception, living body detection, high temperature alarm and other functions.



## Application scenario:

Can be matched with access gates and access control for communities, office buildings, schools, hotels, scenic spots, transportation hub centers and other public service places.

# Applications



construction site



scenic area



Government



Factory



Schools



Community



Self-service store



Office building



Hospital / clinic

## Installation method:

Support wall-mounted, floor-mounted, desktop installation.





