

Product Specifications

Receiving card

HD-R612

V0.1 20190829

1. Overview

R612, on-board 12*HUB75E ports, compatible with R500 / R501 / R5018 / R512 / R516.

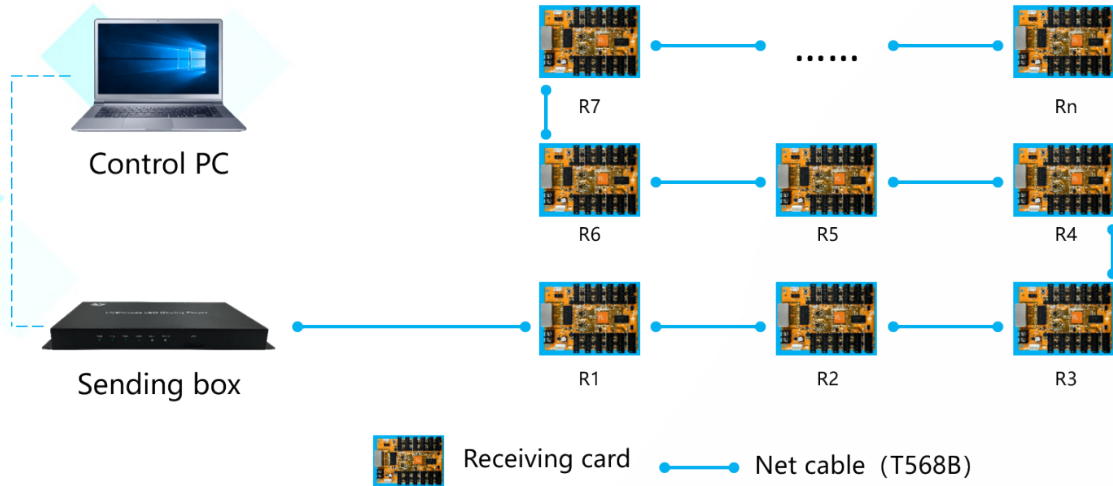
The R612 is a dedicated receiving card for the module with LS9929/9919 chip. It can also be used as a conventional receiving card with a limit control range of 128*1024.

2. Parameters

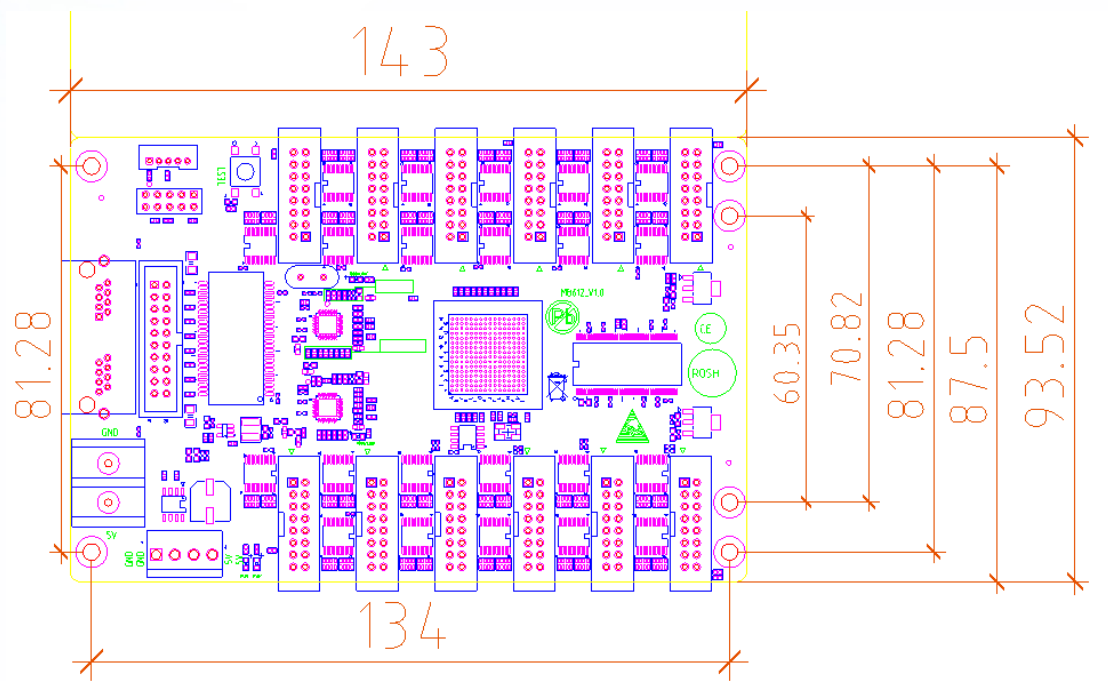
With sending card	Dual-mode sending box, Asynchronous sending card, Synchronous sending card, Video processor of VP series.
Module type	Compatible with all common IC module, supported most PWM IC module.
Scan mode	Supports any scanning method from static to 1/64 scan
Communication method	Gigabit Ethernet
Control range	Maximum recommend: 98,304 pixels (128*768) Outdoor module width ≤ 256 , Indoor module width ≤ 128
Multi-card connection	Receiving card can be put in any sequence.
Gray scale	256~65536
Smart setting	A few simple steps to complete the smart settings, through the screen layout can be set to go with any alignment of the screen unit board
Test functions	Receiving card integrated screen test function, Test display brightness uniformity and display module flatness.
Communication distance	Super Cat5, Cat6 network cable within 80 meters
Port	5V DC Power*2, 1Gbps Ethernet port*2, HUB75E*12
Input voltage	4V-6V
Power	5W

3. Connection Method

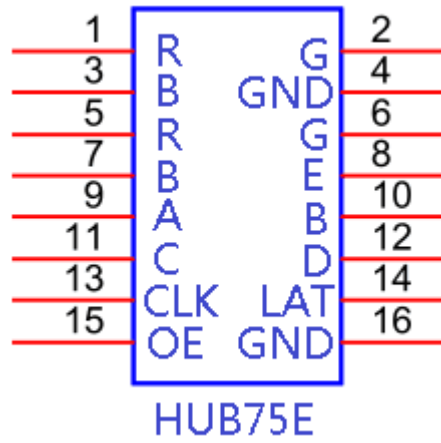
Connection diagram of connecting R612 with player A6:



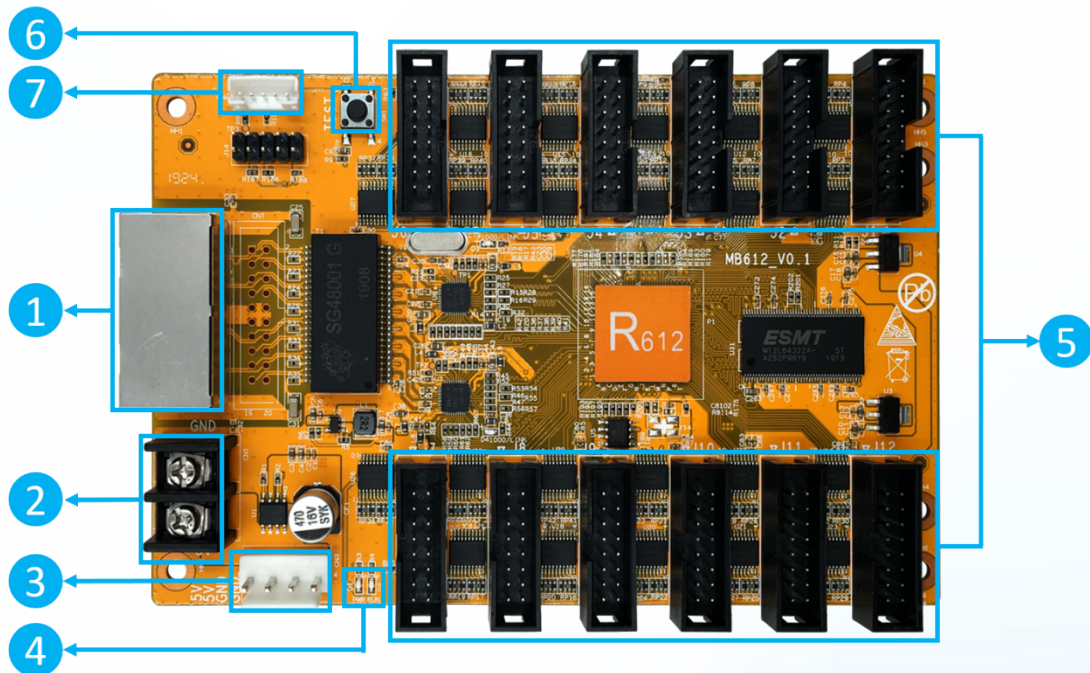
4. Dimensions



5. Interface Definition



6. Appearance Description



⊕: Gigabit Ethernet port, used to connect the sending card or receiving card, the same two network ports are interchangeable,

- ②: Power interface, can be accessed with 4.5V ~ 5.5V DC voltage;
- ③: Power interface, can be accessed with 4.5V ~ 5.5V DC voltage; (②,③ connect one of them is ok.)
- ④: Work indicator, D1 flashes to indicate that the control card is running normally; D2 flashes quickly to indicate that Gigabit has been recognized and data is being received.
- ⑤: HUB75E port, connect to the modules,
- ⑥: Test button, used to test display brightness uniformity and display module flatness.
- ⑦: External indicator light, run light and data light.

7. Technical Parameters

	Minimum	Typical	Maximum
Rated voltage(V)	4.2	5.0	5.5
Storage temperature(°C)	-40	25	105
Work environment temperature(°C)	-40	25	80
Work environment humidity (%)	0.0	30	95
Net weight (kg)	0.096		
Certificate	CE, FCC, RoHS		

Precautions

- 1) ensure the system long-term stable running, please keep to use the standard 5V power supply voltage.
- 2) Different production batches, color appearance and labels may be different.